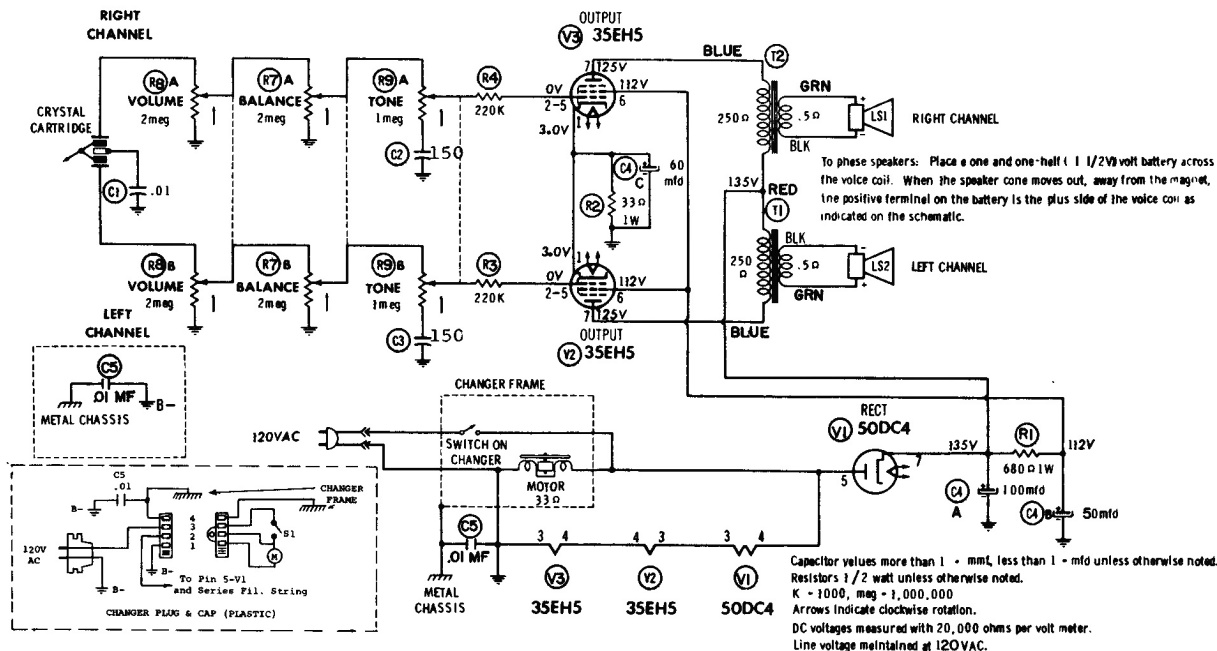


GENERAL ELECTRIC

Models RP2040A, RP2041A, RP2140, RP2142, RP2143



TO REMOVE RECORD CHANGER

1. Open record changer compartment and place record changer into playing position.
2. Remove two (2) screws from the back cover and remove back cover.
3. Place the shipping screw clips to a vertical position.
4. Lift the record changer and tilt upwards until the plastic power plug and signal plugs are accessible. Remove plugs from record changer.
5. Remove record changer from compartment.

TO REMOVE AMPLIFIER

1. Follow Steps 1 through 4 as described under "TO REMOVE RECORD CHANGER".
2. Remove knobs from control panel.
3. Free all wires from the metal lead dresser tabs.
4. Slide the AC power receptacle from the bracket.

5. Remove tape and wire nuts connecting the speaker leads. Be sure to label speaker leads to assure proper phasing when re-assembling.
6. Remove screw holding electrolytic.
7. Remove all tubes from amplifier.
8. Remove nuts holding amplifier to cabinet and remove amplifier.

TO REMOVE SPEAKER

1. Unclasp speaker wing clamp and swing out speaker enclosure.
2. Lift wing enclosure off hinges and place grille front on a soft cloth.
3. Remove six (6) screws from speaker enclosure back and remove back.
4. Unsolder and label speaker leads to assure proper phasing when reassembling.
5. Remove nuts holding speaker to grille and remove speaker.

